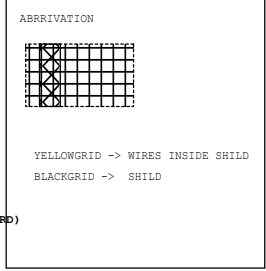
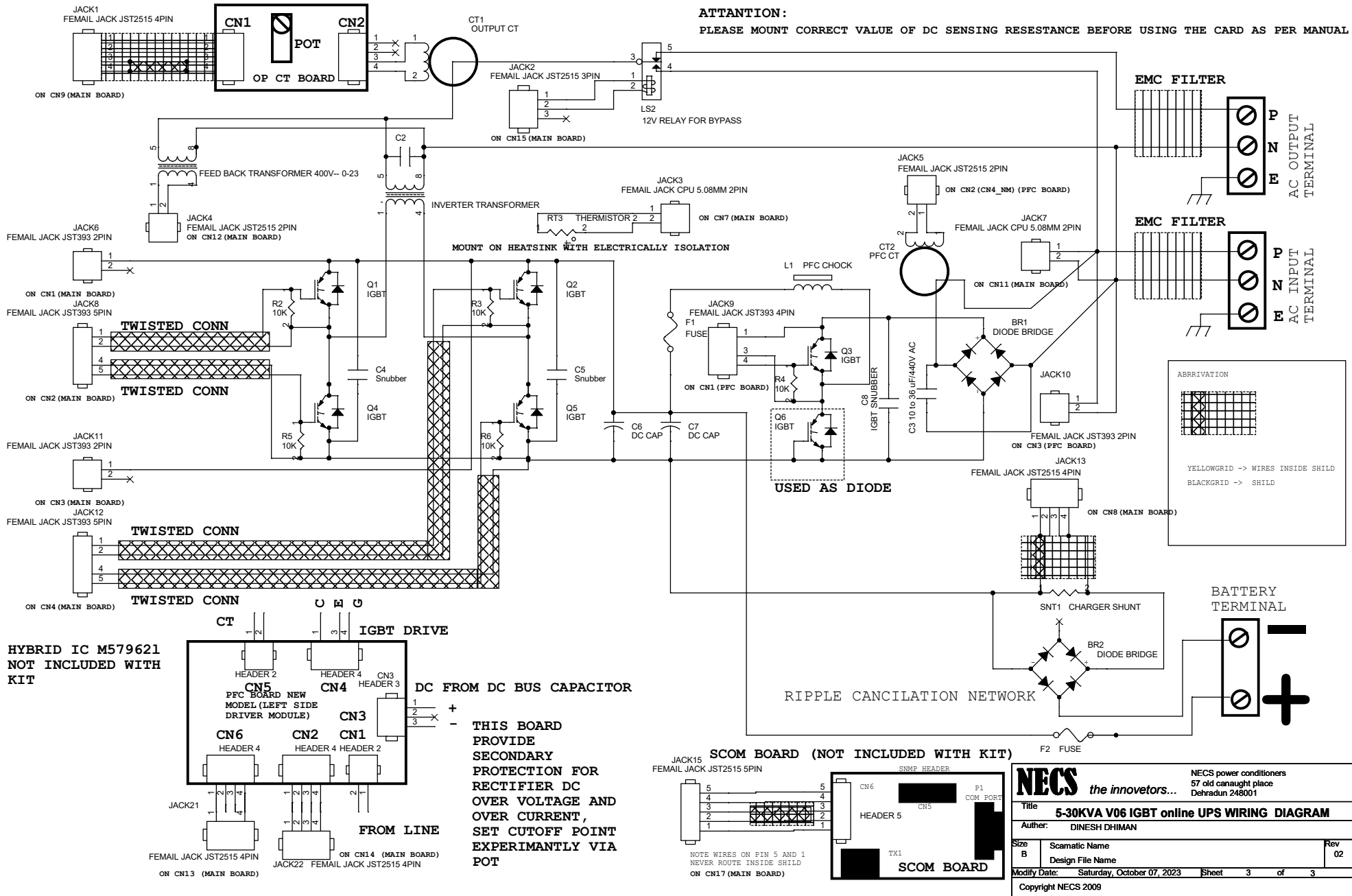
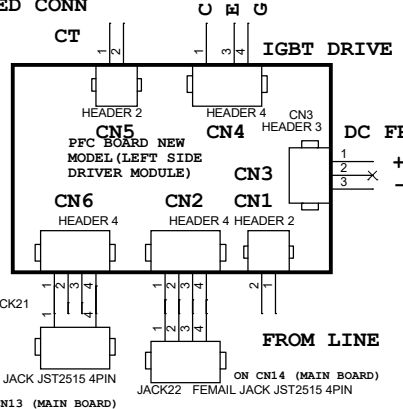


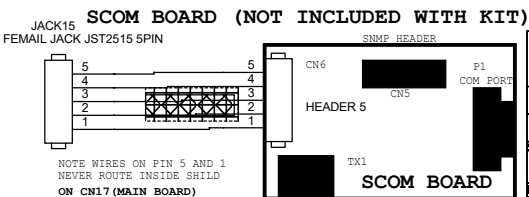
**ATTENTION:**  
PLEASE MOUNT CORRECT VALUE OF DC SENSING RESESTANCE BEFORE USING THE CARD AS PER MANUAL



HYBRID IC M579621  
NOT INCLUDED WITH  
KIT



THIS BOARD  
PROVIDE  
SECONDARY  
PROTECTION FOR  
RECTIFIER DC  
OVER VOLTAGE AND  
OVER CURRENT,  
SET CUTOFF POINT  
EXPERIMENTLY VIA  
POT



**NECS** the innovetors...

NECS power conditioners  
57 old canought place  
Dehradun 248001

Title: **5-30KVA V06 IGBT online UPS WIRING DIAGRAM**

Author: DINESH DHIMAN

Size B	Schematic Name	Rev 02
	Design File Name	
Modify Date: Saturday, October 07, 2023	Sheet 3 of 3	

Copyright NECS 2009